

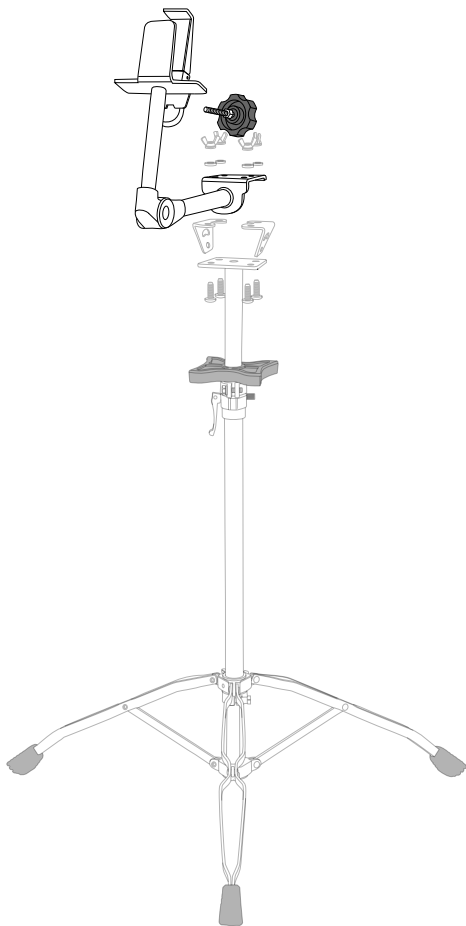


ASSEMBLY INSTRUCTION

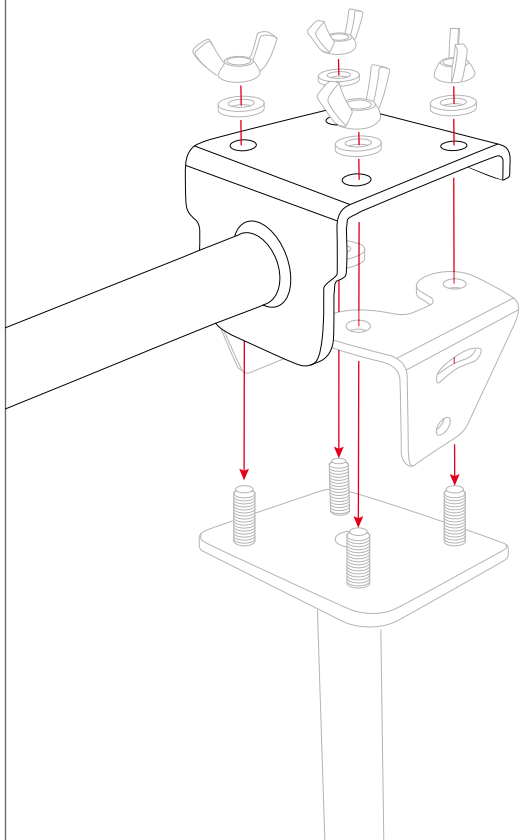
BONGO MOUNT

THBM

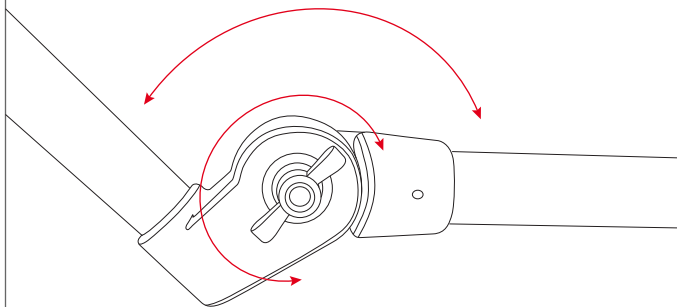
1.



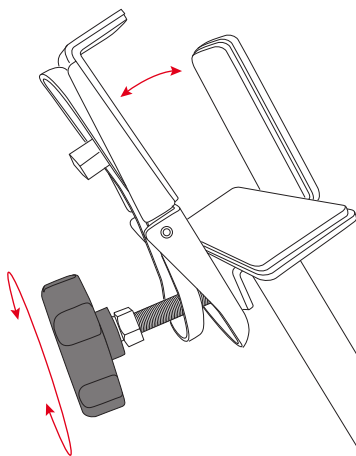
2.

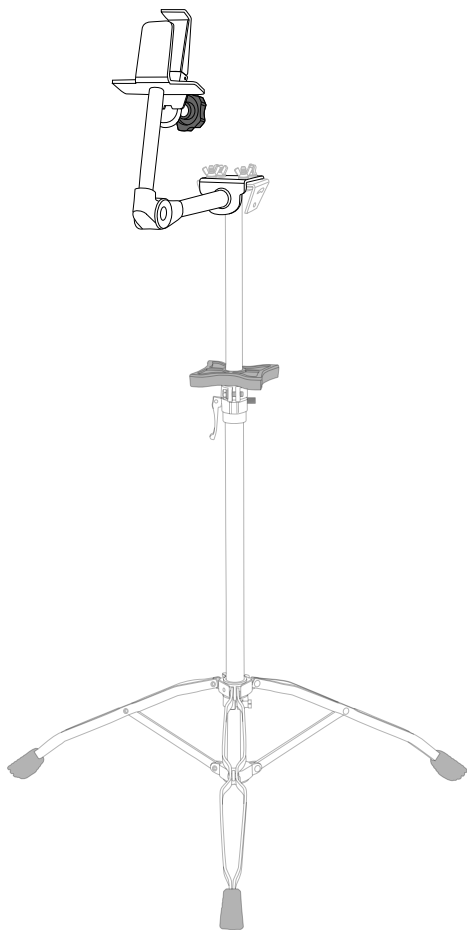


3.



4.







BONGO MOUNT

THBM

This sturdy steel arm is specially designed to mount on our conga double stands.

- Easy mountable on our conga double stands
- Holds your bongo in place
- Adjustable angle

Roland Meinl Musikinstrumente GmbH & Co. KG
Musik-Meinl-Str. 1, 91468 Gutenstetten, Germany
info@meinlpercussion.com
meinlpercussion.com