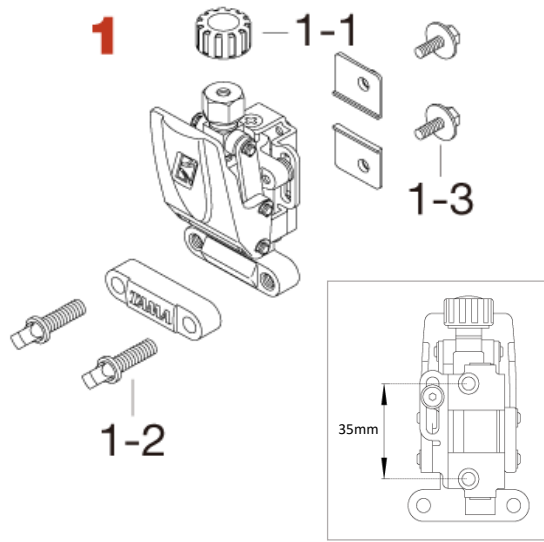
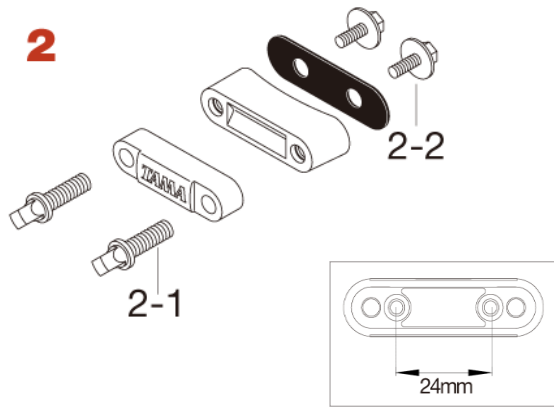


Quick Touch Strainer & Butt MCS70A, MCS70B



No.	Model No.	Description
1	MCS70A*	Snare strainer w/ Spacer (Chrome)
	MCS70AH*	Snare strainer w/ Spacer (Brushed Nickel)
	MCS70ABN*	Snare strainer w/ Spacer (Black Nickel)
	MCS70ABK*	Snare strainer w/ Spacer (Matte Black)
1-1	MUS80A-11	Knob Head
1-2	MS620SH	Square head bolt M6x20mm (Chrome)
	MS620SHH	Square head bolt M6x20mm (Brushed Nickel)
	MS620SHBN	Square head bolt M6x20mm (Black Nickel)
1-3	MS412B20P	Mounting Screw M4x12mm, Black (20pcs/set) for wood shell (5-8mm thickness)
	MS412N20P	Mounting Screw M4x12mm, Silver (20pcs/set) for wood shell (5-8mm thickness)
	MS414B20P	Mounting Screw M4x14mm, Silver (20pcs/set) for wood shell (5-8mm thickness)
	MS416N20P	Mounting Screw M4x16mm, Silver (20pcs/set) for wood shell (8-10mm thickness)
	MS414R20P	Mounting screw M4x14mm w/ rosette (20pcs/set) for metal shell (1-2mm thickness)
	MS416R20P	Mounting screw M4x16mm w/ rosette (20pcs/set) for metal shell (3mm thickness, PBB146)

*Note : MCS70A, MCS70AH & MCS70ABN come standard with MS414HSB.
MCS70ABK come standard with MS412MSC.



No.	Model No.	Description
2	MCS70B*	Snare butt w/ Spacer (Chrome)
	MCS70BBN*	Snare butt w/ Spacer (Black Nickel)
	MCS70BBK*	Snare butt w/ Spacer (Antique Black Nickel)
2-1	MS620SH	Square head bolt M6x20mm (Chrome)
	MS620SHBN	Square head bolt M6x20mm (Black Nickel)
2-2	MS410N20P	Mounting Screw M4x10mm, Silver (20pcs/set) for wood shell (5mm thickness)
	MS412B20P	Mounting Screw M4x12mm, Black (20pcs/set) for wood shell (5-8mm thickness)
	MS412N20P	Mounting Screw M4x12mm, Silver (20pcs/set) for wood shell (5-8mm thickness)
	MS414B20P	Mounting Screw M4x14mm, Black (20pcs/set) for wood shell (8-9mm thickness)
	MS416N20P	Mounting Screw M4x16mm, Silver (20pcs/set) for wood shell (9-11mm thickness)
	MS416B20P	Mounting Screw M4x16mm, Black (20pcs/set) for wood shell (9-11mm thickness)
	MS410R20P	Mounting Screw M4x10mm w/rosette, Black (20pcs/set) for metal shell
	MS412R20P	Mounting Screw M4x12mm w/rosette, Black (20pcs/set) for metal shell (3mm thickness)

*Note : MCS70B & MCS70BBN come standard with MS412HSB.
MCS70ABK come standard with MS410MSC