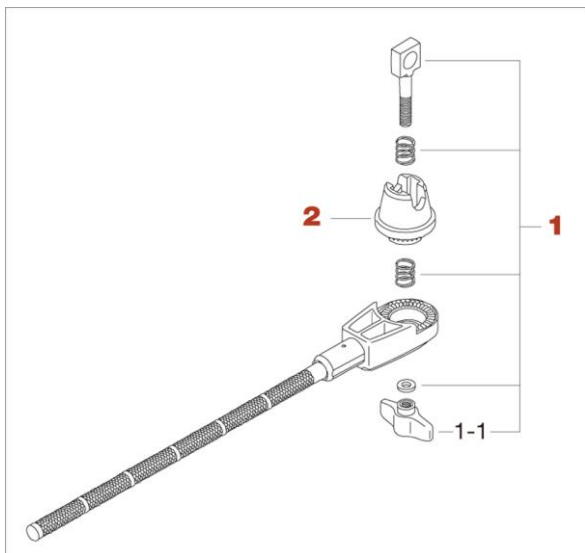


Ratchet Boom MRB30 / MTA30 / MTA45 <Discontinued>

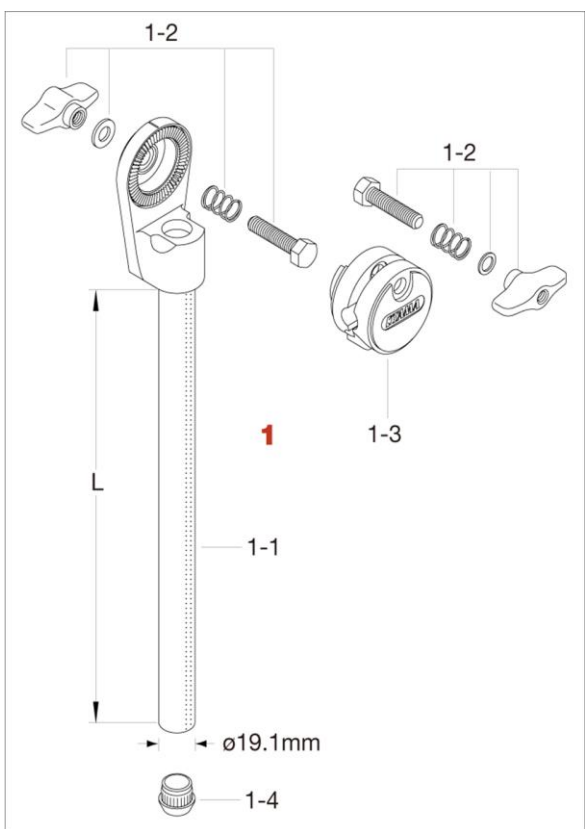


MRB30B (MRB30)

Production from Feb. 1999 to Oct. 2022

No.	Model No.	Substitutable Model No.	Description
1	EBA8WN8T		Bolt, spring, washer & nut assembly
1-1	WN8P		Wing nut (M8, 2pcs/pack)
2	EHZN2		Boom tilter casting

Model number has changed to the MRB30B from Nov. 2022



MTA30B / MTA45B (MTA30 / MTA45)

Production from 1998 to Oct. 2023

No.	Model No.	Substitutable Model No.	Description
1	MTA30 (Discontinued)	MTA30B	Ratchet Arm (L=300mm)
1	MTA45 (Discontinued)	MTA45B	Ratchet Arm (L=450mm)
1-1	MTA30R-1		Tube only for MTA30
	MTA45R-1		Tube only for MTA45
1-2	HB835WN8T		Bolt, spring, washer & nut assembly
1-3	HC83B-33		Pressure casting
1-4	IRC19S		Insert rubber cap (19.1mm)

Model number has changed to the MTA30B and MTA45B from Nov. 2023