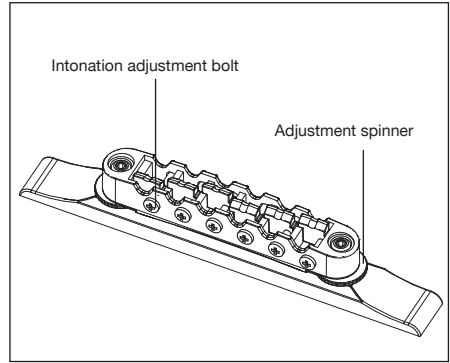
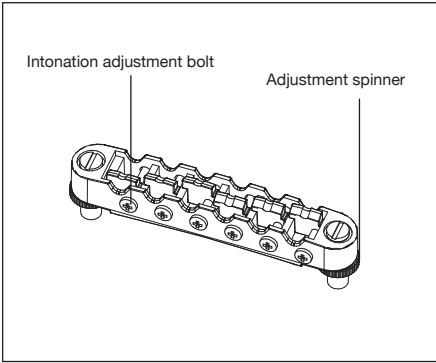
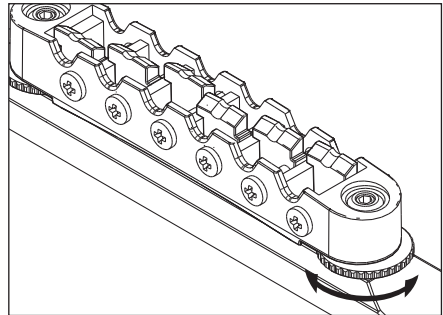
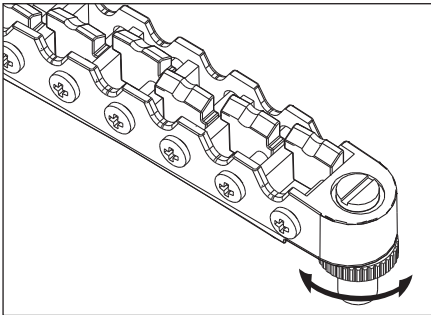


Gibraltar Performer Bridge / Gibraltar Artist Bridge



Adjusting the action

To adjust the string height, use a slot head (-) screwdriver to turn the adjustment bolt, or use your fingers to turn the adjustment spinners, located at either side of the bridge. (It is not possible to adjust the height of each string individually.)



Adjusting the intonation

To adjust the saddle position, use a slotted screwdriver to turn the intonation adjustment bolt.

※ Tune the guitar correctly before checking the intonation.

