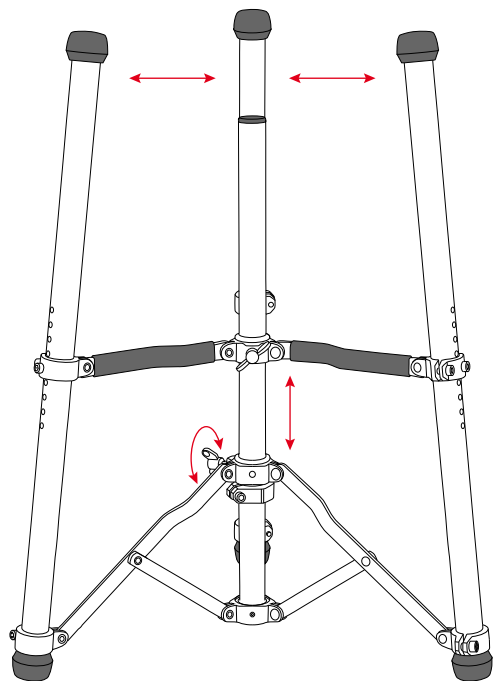




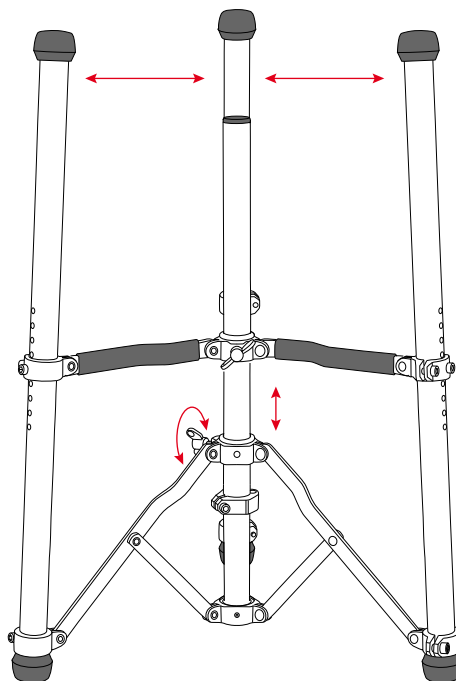
## **ASSEMBLY INSTRUCTION**

### **PROFESSIONAL CONGA STAND** TMC-CH

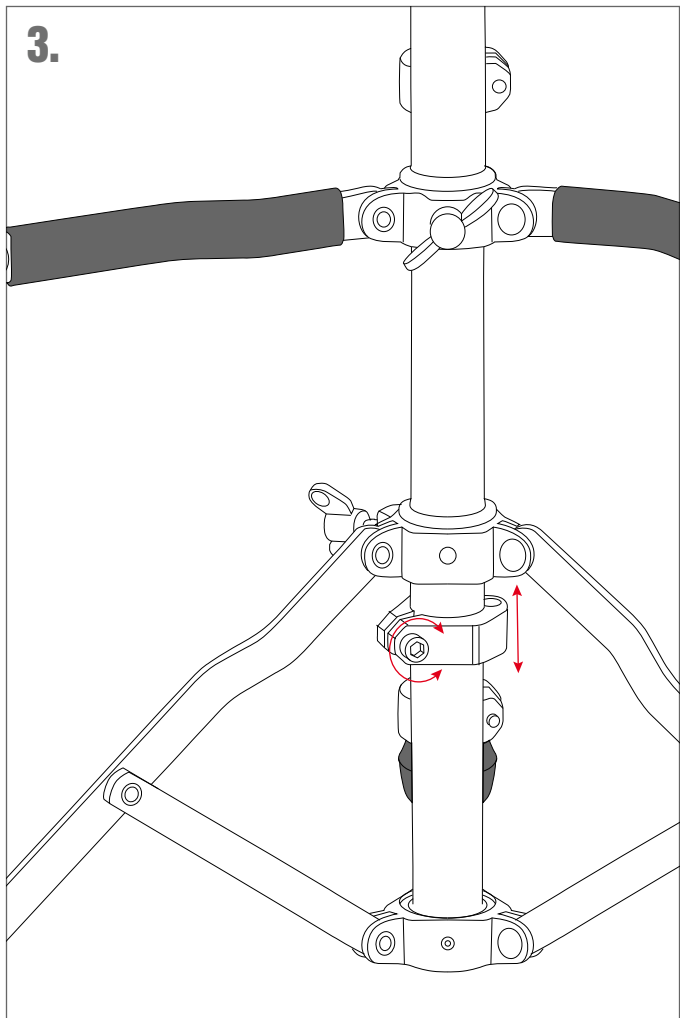
1.



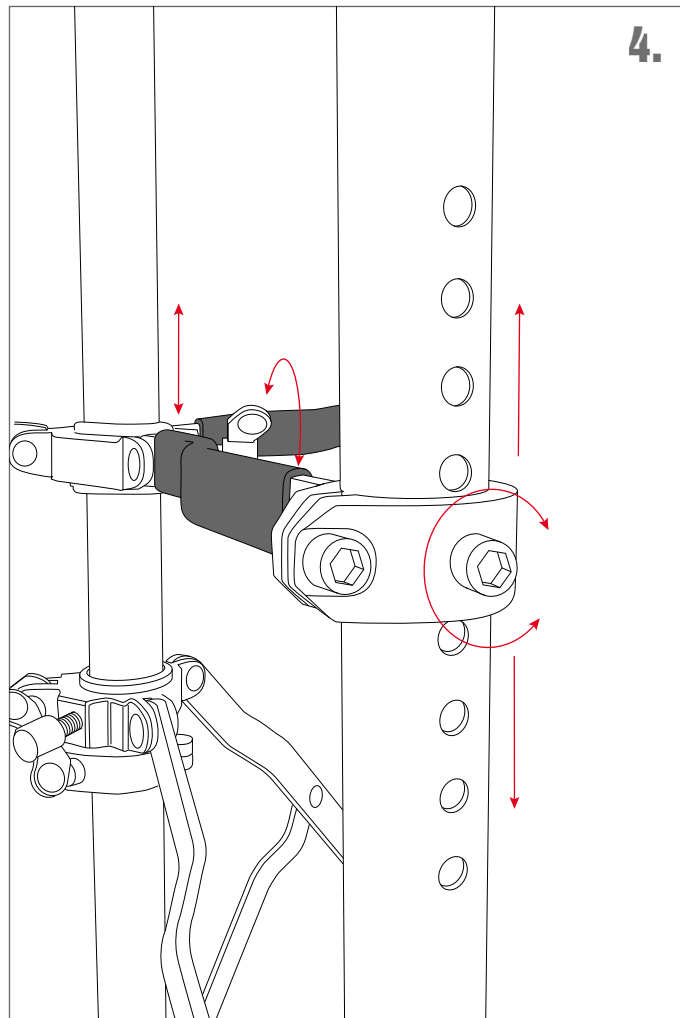
2.

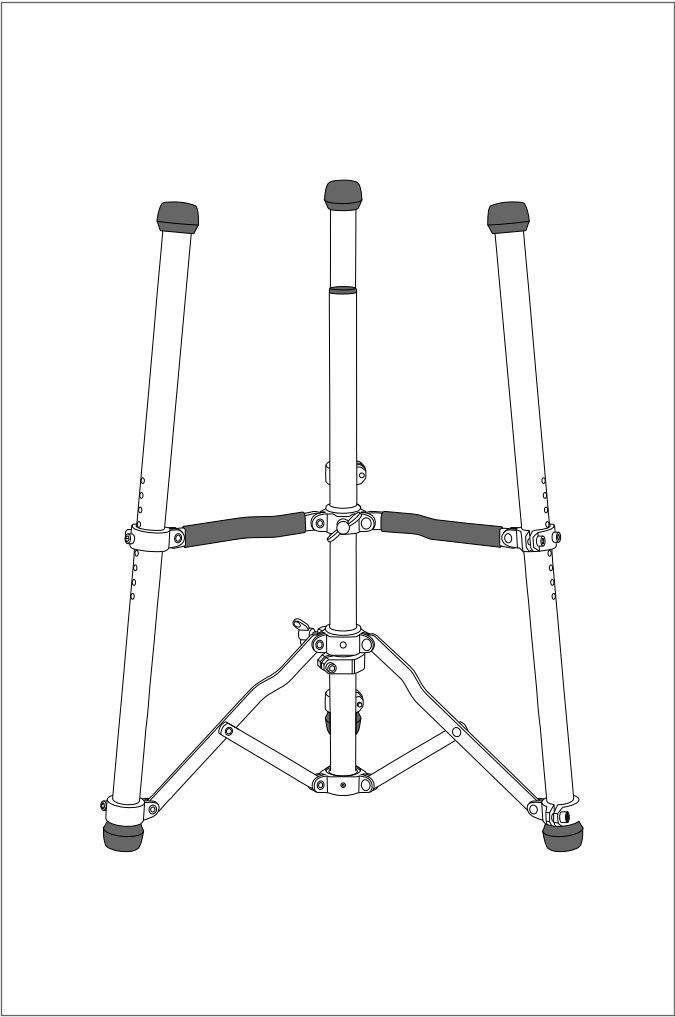


3.



4.







## PROFESSIONAL CONGA STAND

TMC-CH

---

The MEINL Conga Stand is unique with respect to design and function. It was especially developed to accommodate the rigors of professional road use, where fine adjustment and durability are demanded.

- Unique design (DE, US patent)
- Rubber padded crossbeams
- Fully height adjustable
- Folds up to a compact unit

---

Roland Meinl Musikinstrumente GmbH & Co. KG  
Musik-Meinel-Str. 1, 91468 Gutenstetten, Germany  
info@meinlpercussion.com  
**meinlpercussion.com**