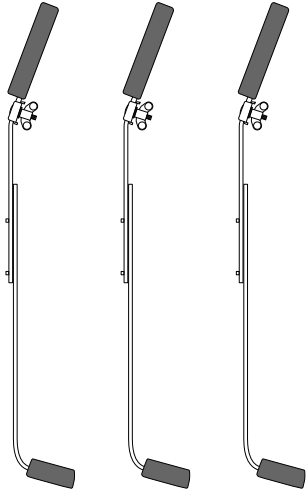
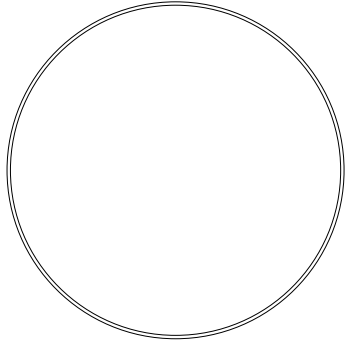




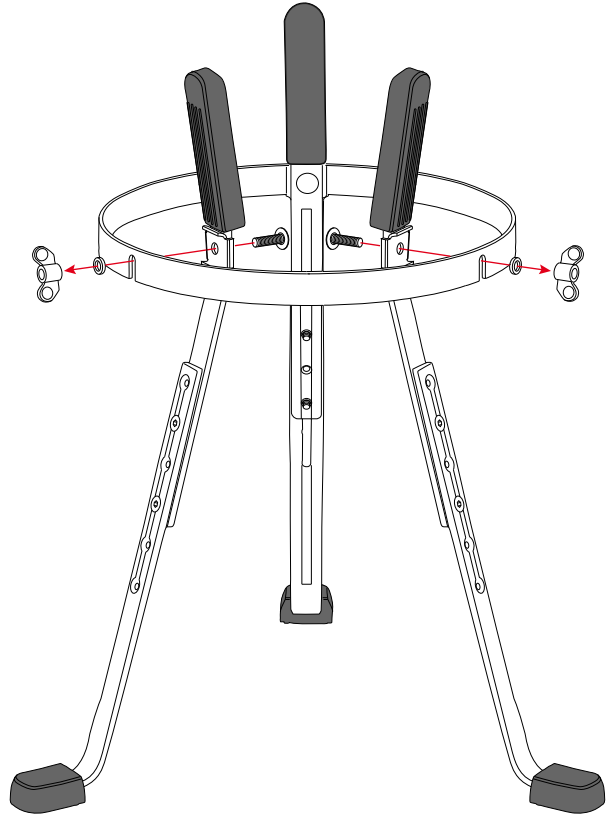
ASSEMBLY INSTRUCTION

STEELY II CONGA STAND

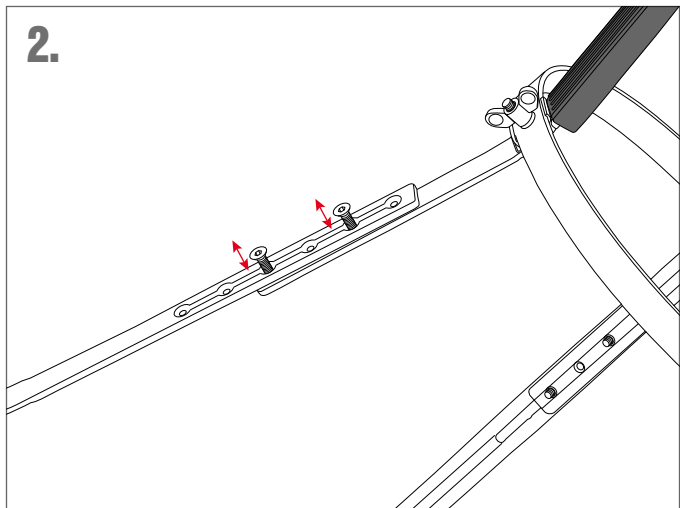
ST-MCC / ST-FL / ST-MP / ST-WC / ST-MSA



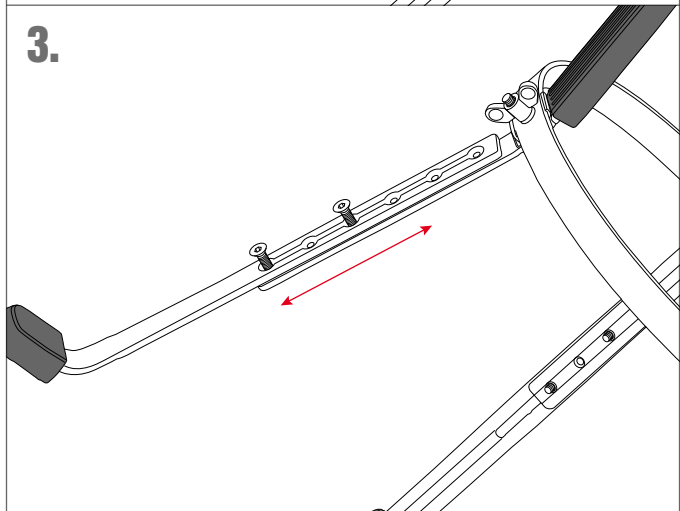
1.



2.



3.





STEELY II CONGA STAND

ST-MCC / ST-FL / ST-MP / ST-WC / ST-MSA

The MEINL Steely II Conga Stands (patented) feature:

- Metal spike attachment on each leg
- L-shaped leg (DE, TH, US patent)
- U-shaped notch for quick set up and breakdown (US patent)
- Ergonomic arched rubber bracing for more stability (CN, DE, US patent)
- Notches for quick height adjustability (DE patent)

Roland Meinl Musikinstrumente GmbH & Co. KG
Musik-Meinl-Str. 1, 91468 Gutenstetten, Germany
info@meinlpercussion.com
meinlpercussion.com