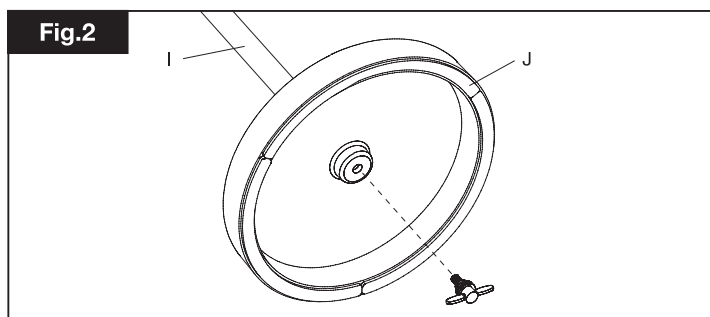
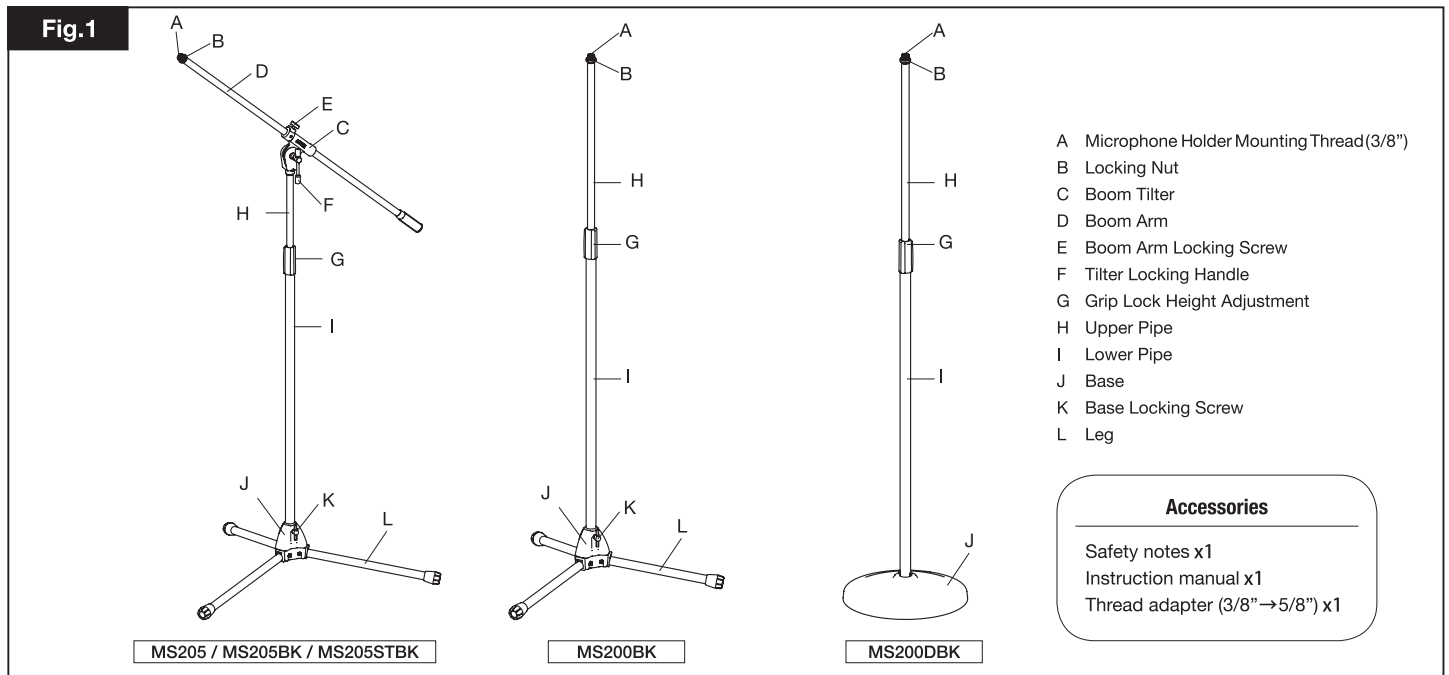


TAMA MICROPHONE STAND INSTRUCTION MANUAL

■ Please read through this instruction manual before start to use.

Thank you very much for purchase of the TAMA microphone stand. To ensure safe and efficient use of this product, please read through this manual before beginning use. Store this manual in a convenient place for feature reference.



How to use

Base Assembly

- 1. Tripod Base**
Loosen the base locking screw (K) and move the base to the bottom of lower tube, tighten the base locking screw. Spread out the legs until they lock into the base.
- 2. Round Base**
Loosen the T-bolt from lower pipe (I). Insert the bottom of the lower pipe into the center hole of the base (J). Tighten the T-bolt firmly (see Fig.2).

Stand Height Adjustment

Set the stand upright, and while holding the upper pipe (H), loosen the grip lock height adjustment (G). Set the height as desired and tighten the grip lock height adjustment.

Adjustment of Boom Arm (Only for boom stand)

- **Boom Arm Angle**
While holding the boom arm (D), loosen the handle (F) and set to desired angle, then tighten the handle.
- **Boom Arm Length**
While holding the boom arm (D), loosen the locking screw (E) and set at desired length, then tighten the locking screw.

Mounting a Microphone Holder

Screw microphone holder clockwise onto mounting thread (A). Tighten the locking nut firmly.
 Microphone holders for specific microphones vary by manufacture. An adapter may be required (sold separately) to mount the microphone you are working with to a TAMA microphone stand.