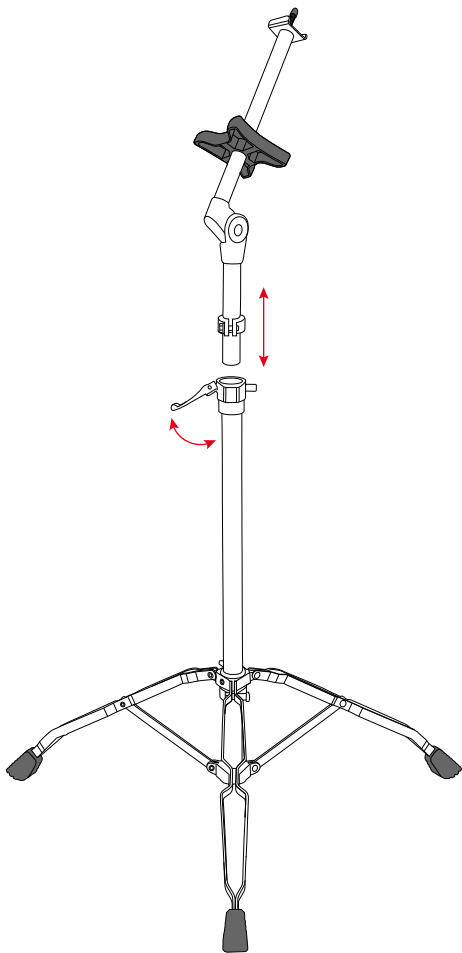




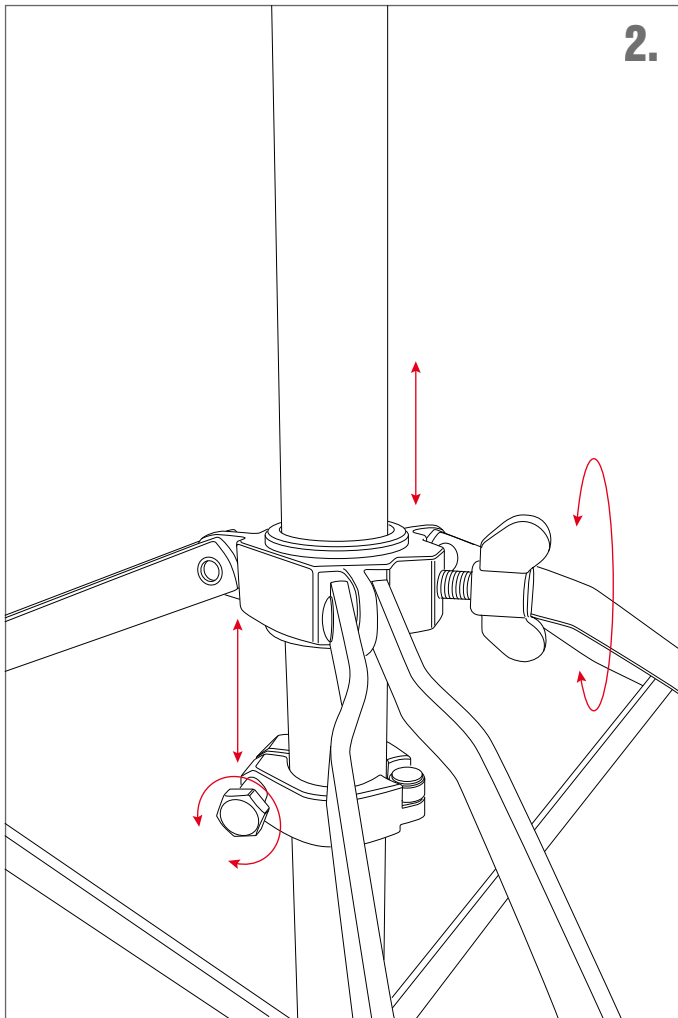
ASSEMBLY INSTRUCTION

CONGUITAS STAND HCG

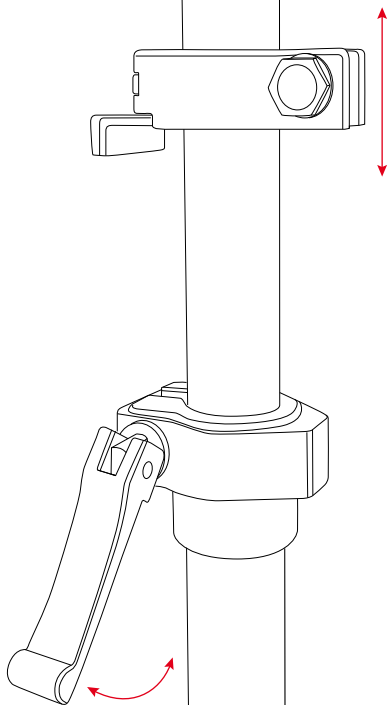
1.



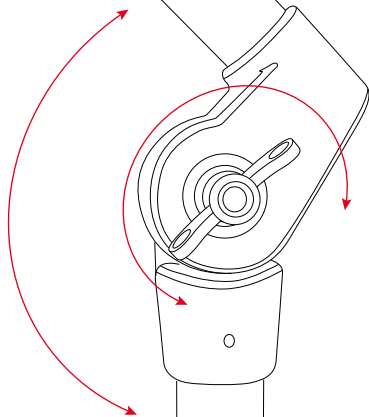
2.



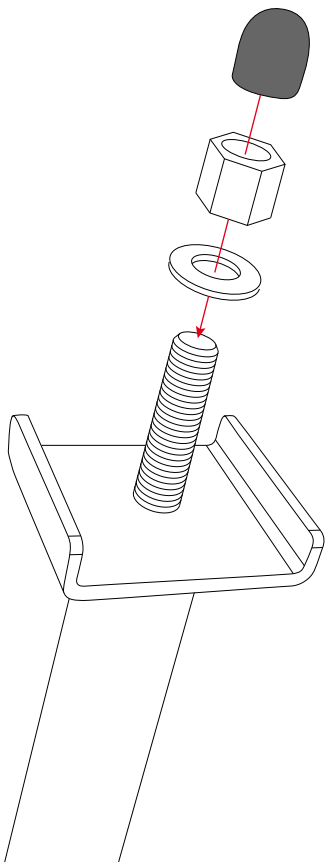
3.

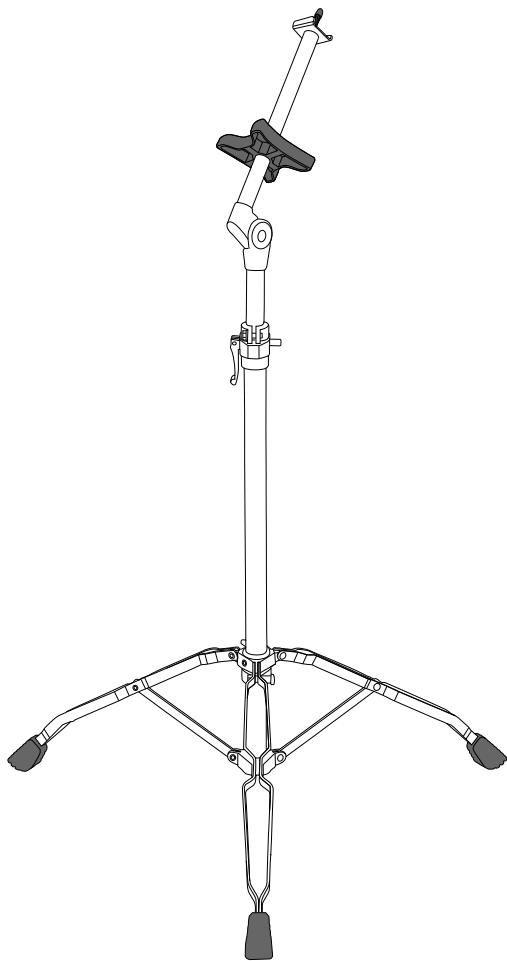


4.



5.







CONGUITAS STAND

HCG

- Adjustable cowbell holder
- Height adjustable tilting double braced tripod stand

Roland Meinl Musikinstrumente GmbH & Co. KG
Musik-Meinl-Str. 1, 91468 Gutenstetten, Germany
info@meinlpercussion.com
meinlpercussion.com