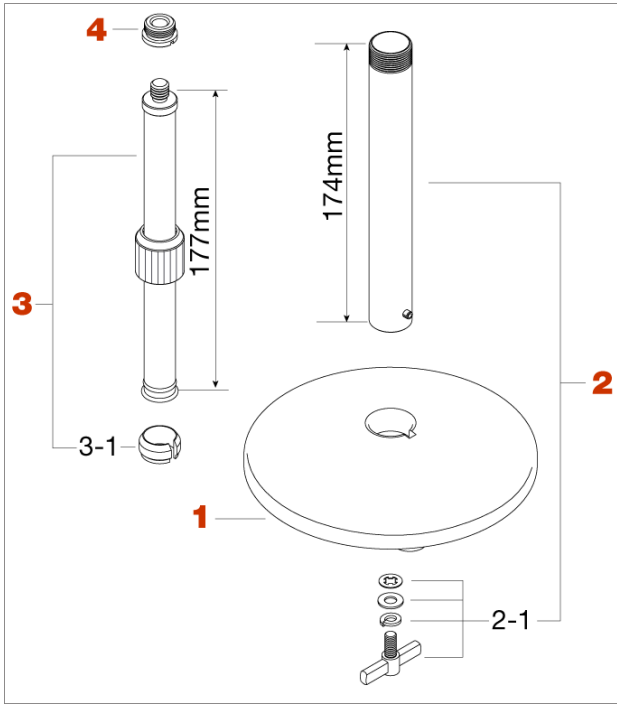


MS30BK Microphone Stand



No.	Model No.	Description
1	MS20-1	Round base
2	MS50-2B	Lower pipe w/ t-bolt & washers
2-1	TS613W	T-bolt (M6x13mm), washers & spring washer assembly
3	MS30-3B	Upper pipe
3-1	20-PR	Nylon ring
4	AD58E	Adapter