

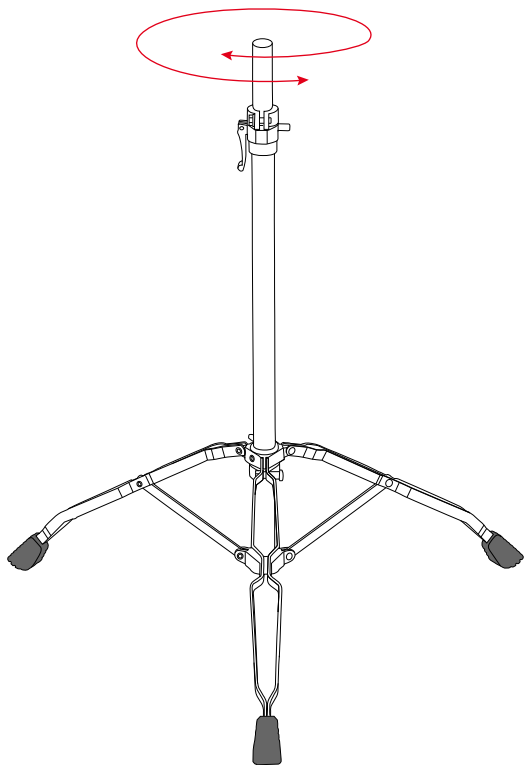


ASSEMBLY INSTRUCTION

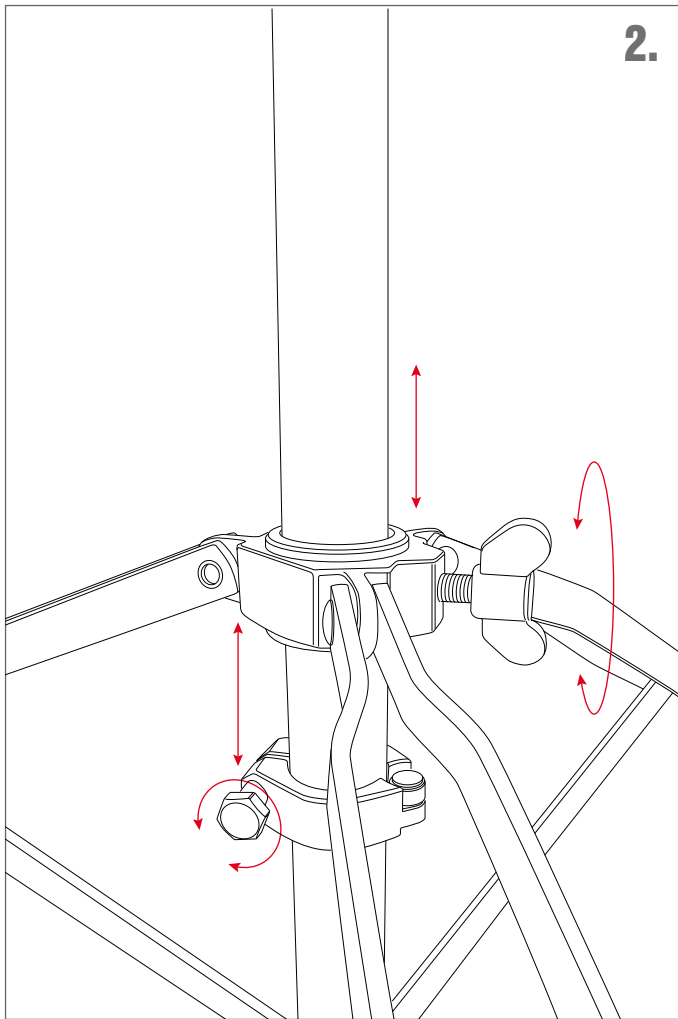
PERCUSSION TABLE STAND

TMPTS

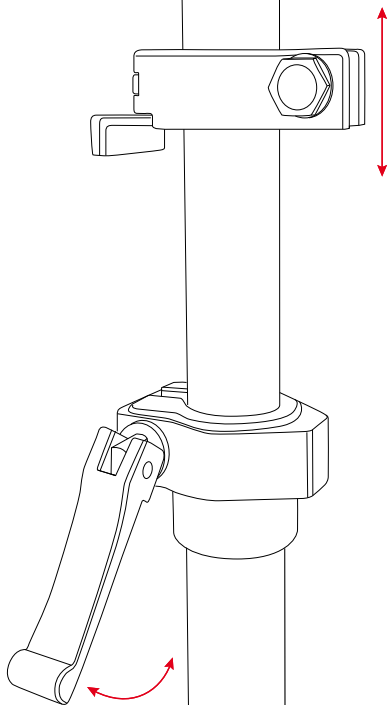
1.

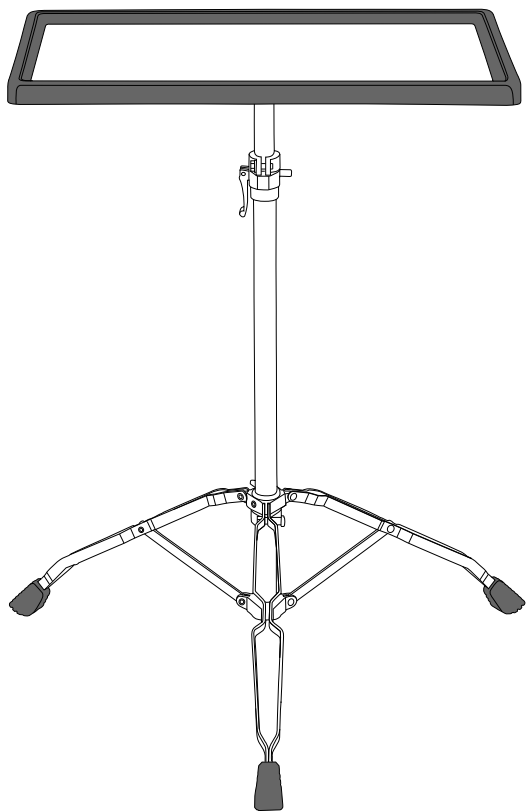


2.



3.







PERCUSSION TABLE STAND

TMPTS

The MEINL Percussion Table Stand offers enough room for all common hand percussion instruments. It is fully height adjustable and has a fabric anti-slip surface.

- Fabric anti-slip surface
- Fully height adjustable
- Double braced tripod legs

Roland Meinl Musikinstrumente GmbH & Co. KG
Musik-Meinl-Str. 1, 91468 Gutenstetten, Germany
info@meinlpercussion.com
meinlpercussion.com