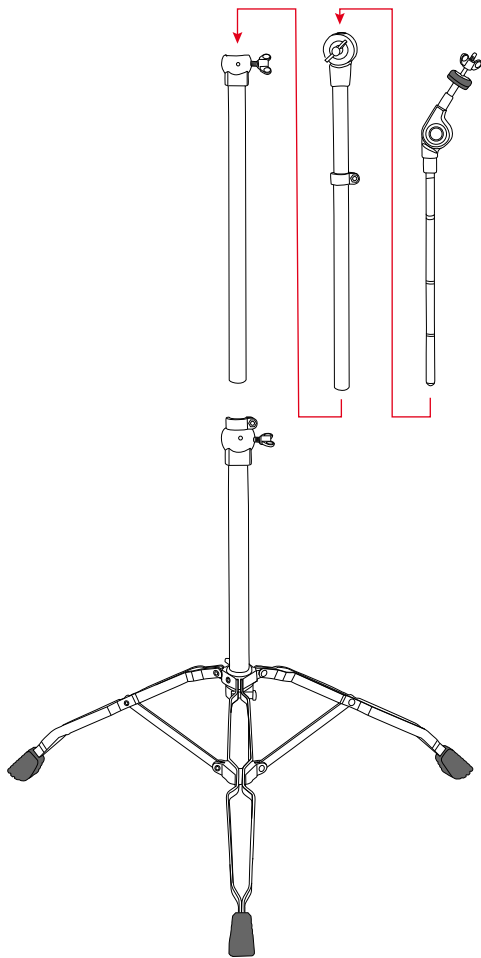




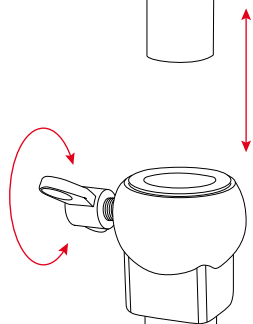
ASSEMBLY INSTRUCTION

CHIMES STAND
TMCH

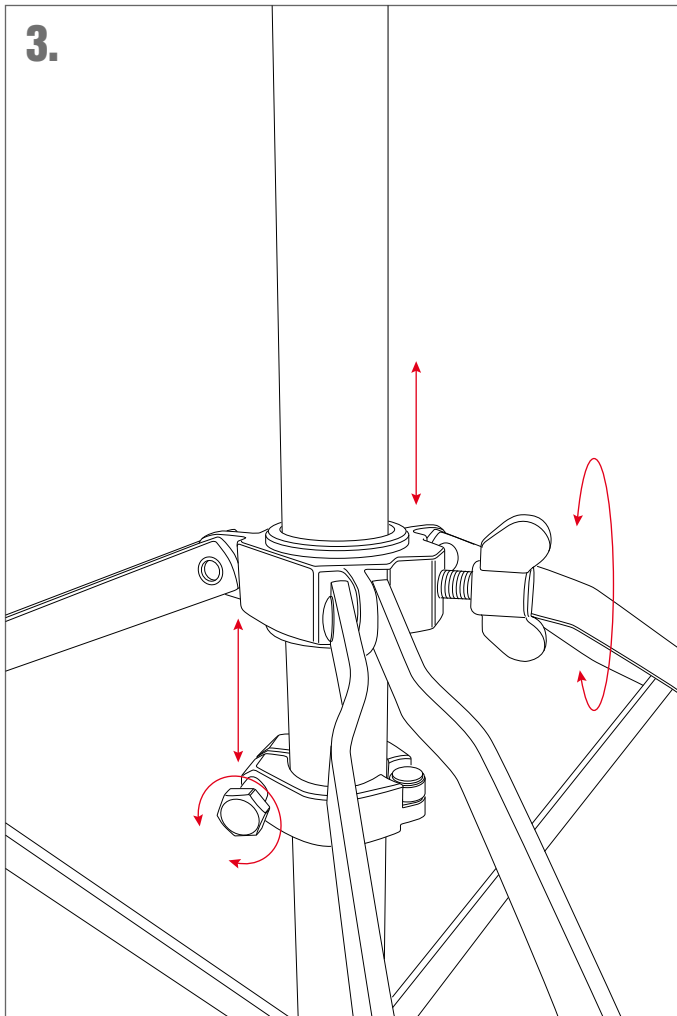
1.



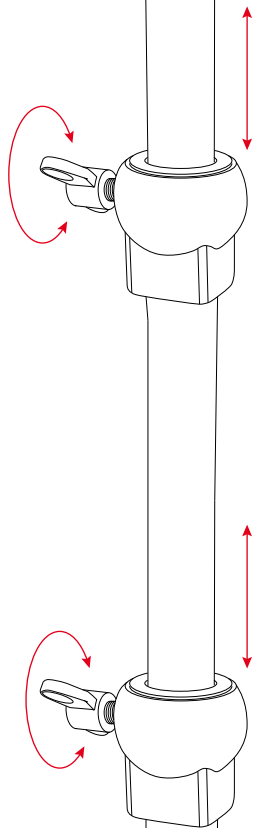
2.



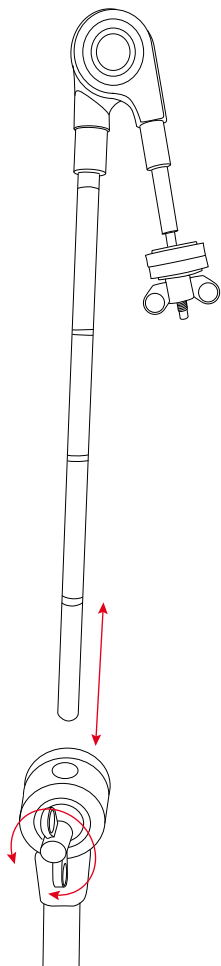
3.



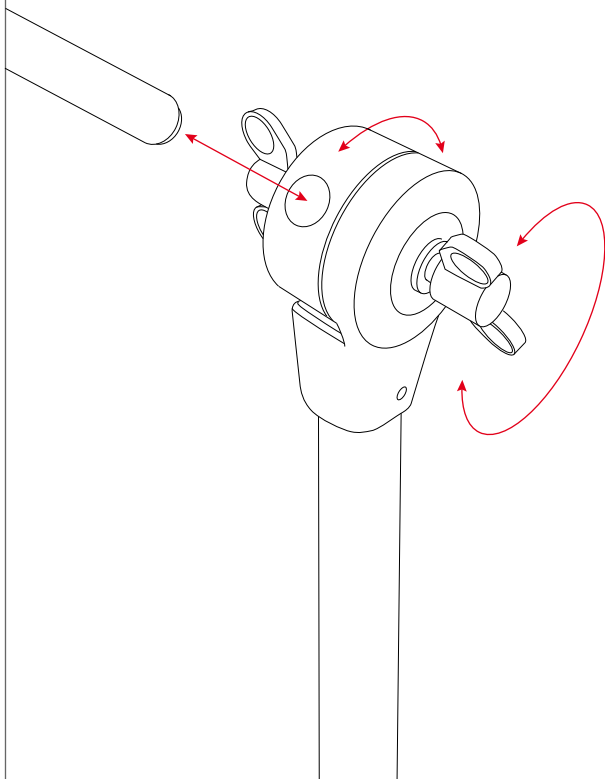
4.



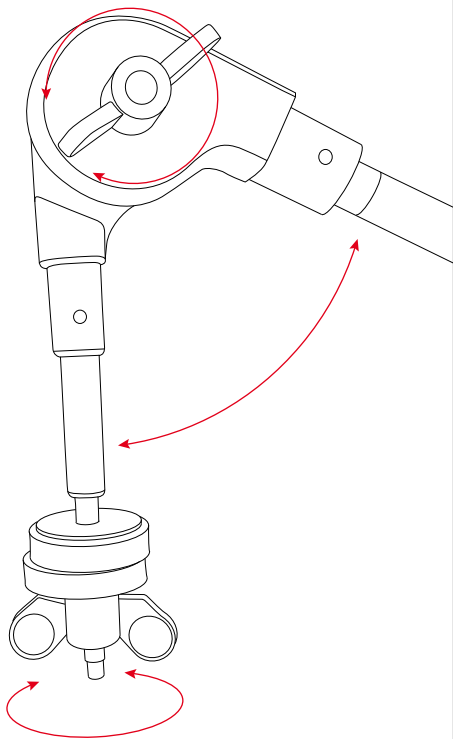
5.

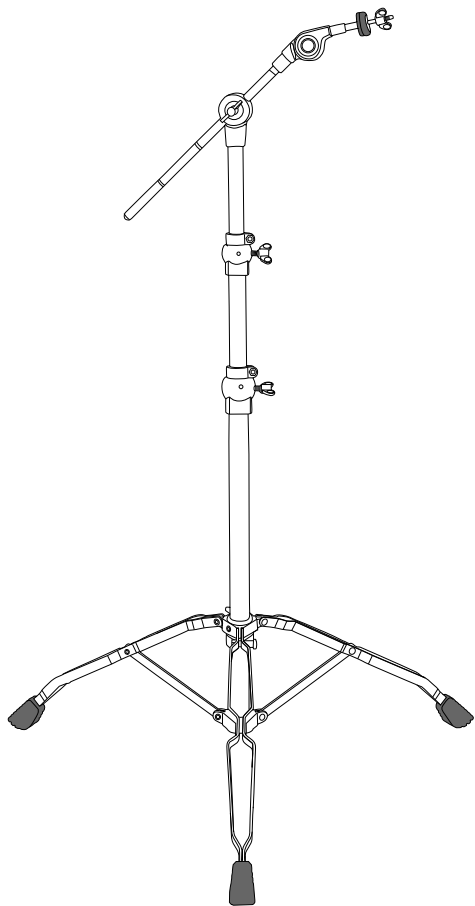


6.



7.







CHIMES STAND

TMCH

The MEINL Chimes Stand is a fully-adjustable, double braced tripod stand, specially designed for mounting bar chimes just the way you want them to be held! Made from sturdy chrome-plated steel for dependability. Special padding eliminates unwanted movement, and rubber feet prevent slipping.

- Secure angle clamps
- Telescoping stem
- Fully adjustable

Roland Meinel Musikinstrumente GmbH & Co. KG
Musik-Meinel-Str. 1, 91468 Gutenstetten, Germany
info@meinlpercussion.com
meinlpercussion.com