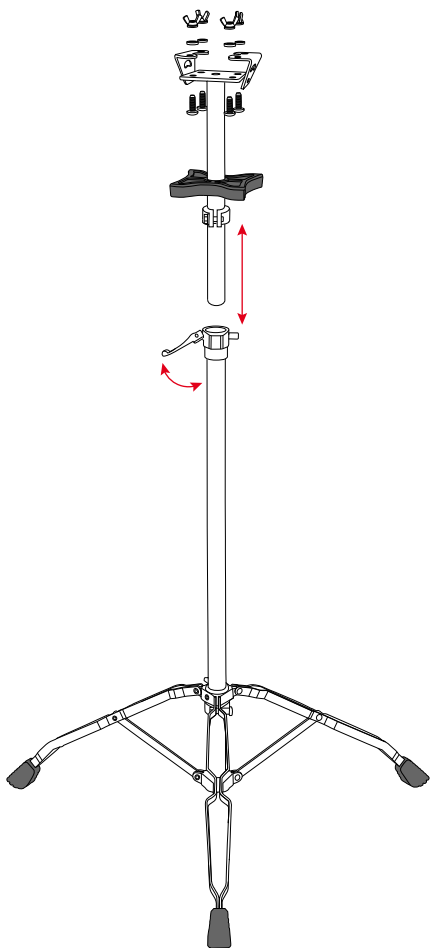




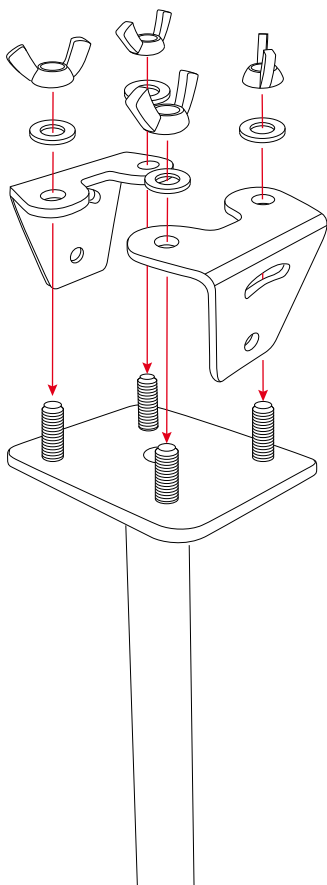
ASSEMBLY INSTRUCTION

CONGA DOUBLE STANDS HDSTAND / TMDS

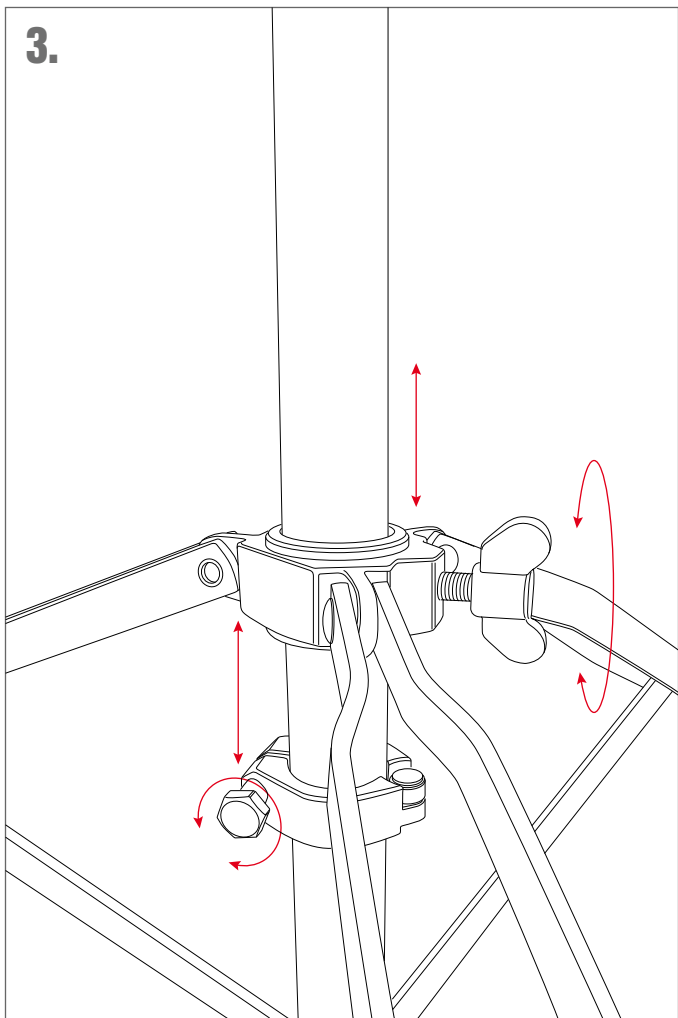
1.



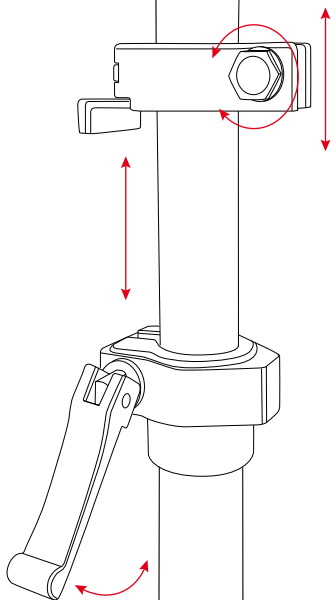
2.



3.



4.







CONGA DOUBLE STAND

HDSTAND / TMDS

Specially designed to hold two congas at once and features a memory lock for a quick set up.

- Height adjustability
- Double braced tripod legs

Roland Meinl Musikinstrumente GmbH & Co. KG
Musik-Meinl-Str. 1, 91468 Gutenstetten, Germany
info@meinlpercussion.com
meinlpercussion.com